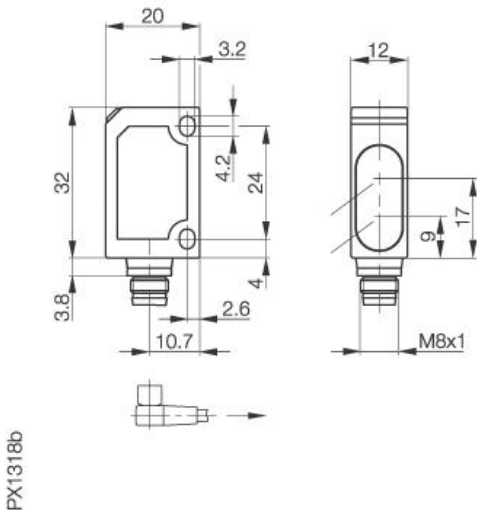


Photoelectric Sensor
BOD 6K-RA01-S75-C
Sn=80mm
Distancesensor



Common Data

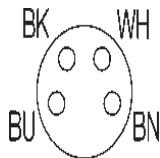
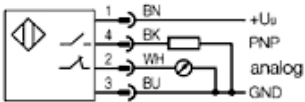
Series	BOD
Sensortype	Distancesensor
Switching frequency	1000 Hz
Rated operating distance Sn in mm	80
asured operating distance Sa	20...80mm
Indication Supply Voltage	yes, green LED
Indication Switching element on	yes, yellow LED
Indication Special funktion	Contamination indicator, green LED
Ambient temperature	-20...+60°C
On-delay	0,5ms
Off-delay	0,5ms
Light	Red light
Sensitivity Adjustment	Teach in
Blind zone / min Reflector distance	20mm
Special funktion	Analog output 0...10V
Permissable ambient light	5000 Lux
Output funktion	analog / light-on or dark-on

Mechanical Data

Measurements	32x20x12
Housing material	ABS
Material of sensing face	PMMA
Degree of protection	IP67
Connection	Connector S75 (M8,4-pin)
Weigth	40

Electrical Data

Current	DC
Switching funktion	analog / normally-open
Output	0...10V/PNP
Rated operational voltage Ue	24V
Rated operational current Ie	100mA
Supply Voltage	15...30V
Frequency of Supply Voltage	DC
No-load supply current	<30mA
Voltage drop	<2,4V
Short protection	yes
Protected against polarity reversal	yes
Rated insulation voltage	250V AC
max. Load capacity	0,33µf



Utilization categories
 Insulation class

DC13

Datasheet number:

Definitions see general catalog.
 If not otherwise noted, ratings according to
 IEC 60947-5-2 (DIN EN60947-5-2)

Balluff GmbH
 Schurwaldstrasse 9
 73765 Neuhausen a.d.F.
 Phone (07158) 173-0 Fax (07158) 5010

Datenblatt by CD-ROM - 04/2007

BALLUFF
 sensors worldwide